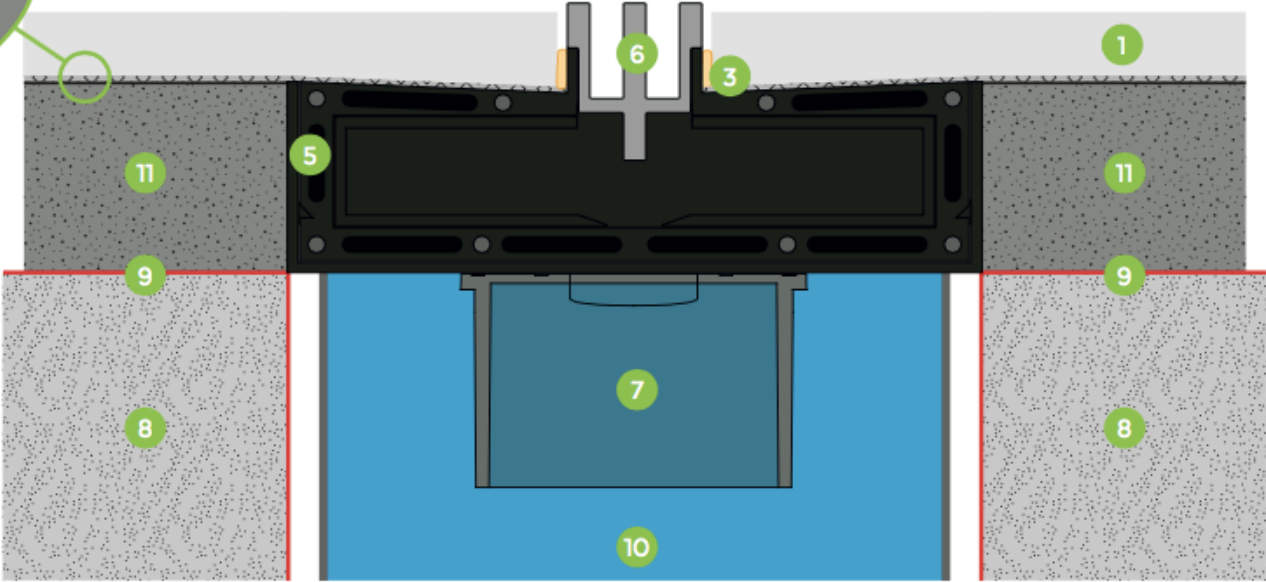
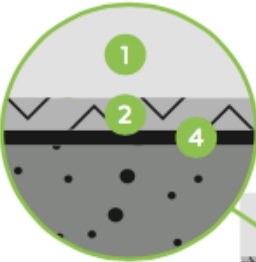


Installation Guide

UP TO 29 LITRES PER MINUTE



- 1 Tile
- 2 Tile adhesive
- 3 Silicon joint
- 4 Waterproof tape (Optional)
- 5 A30 extrusion channel
- 6 A30 removable grate
- 7 Spigots available to fit 50mm, 80mm and 100mm
- 8 Concrete slab or timber
- 9 Waterproof membrane
- 10 Pipe 50mm, 80mm or 100mm
- 11 Screed